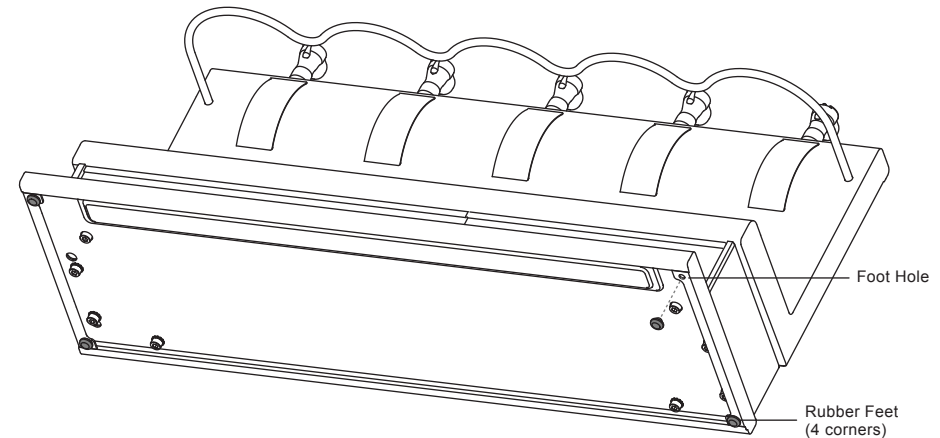


ISSUE

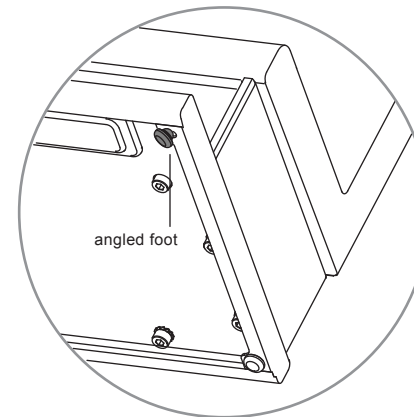
My Rubber foot has come off or needs replacing.

Your Wine Saver PRO® has four Rubber feet on the bottom of it. These feet are located in the corners and are pressed through a hole in the stainless steel. The following instructions will help you properly install the Rubber feet.

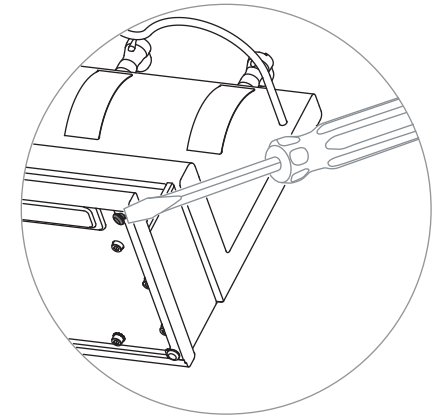
1. Tip the Rack back to expose the bottom where the four Rubber feet are located. If one of your feet is missing you will see a hole in the stainless steel where you will install a new foot.
2. Hold the Rubber foot with the tapered stem pointing into the hole.
3. Push the tapered stem into the hole on an angle so one side of the stem begins to go into the hole.
4. Using a small screwdriver, carefully push the other side of the tapered stem into the hole.
5. Once the tapered stem is fully pushed into the hole, spin the foot in the hole approximately one full turn. This will ensure the tapered stem is fully seated on the backside of the stainless steel.



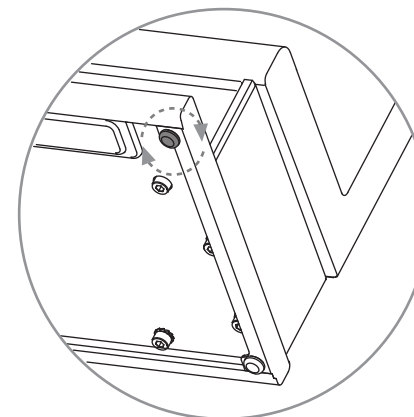
1-2.



3.



4.



5.