



*Preserving wine...preserving profits*

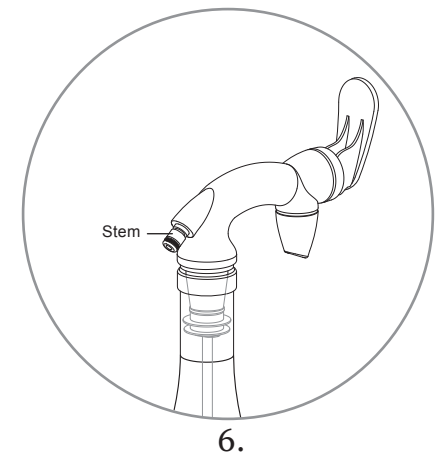
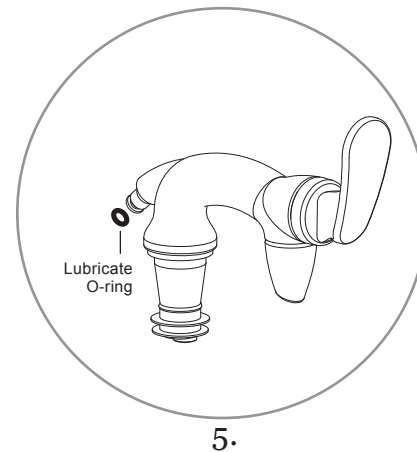
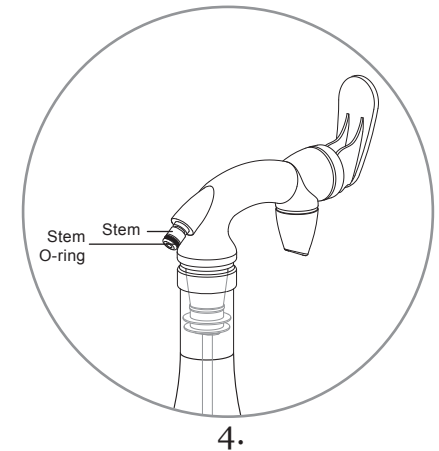
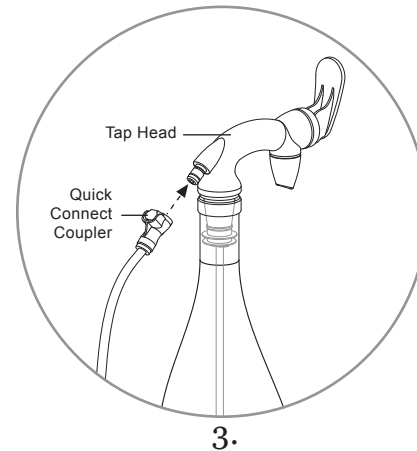
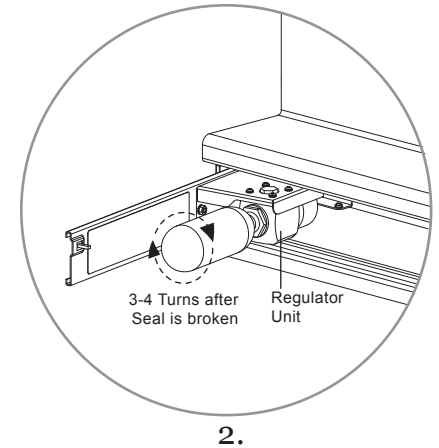
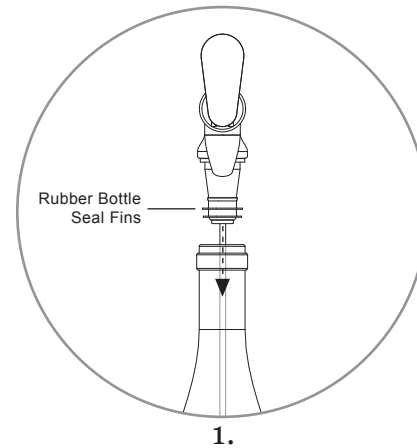
## Troubleshooting Guide

# ISSUE

## My Wine Saver PRO is leaking argon.

If your Wine Saver PRO is leaking argon address the issue immediately to conserve as much gas as possible. If after following the steps below you continue to leak argon you may need additional help locating the source of your leak. To accurately determine the location of your leak, brush all connection and fitting areas with soapy water and watch for bubbling, a sign of leaking argon.

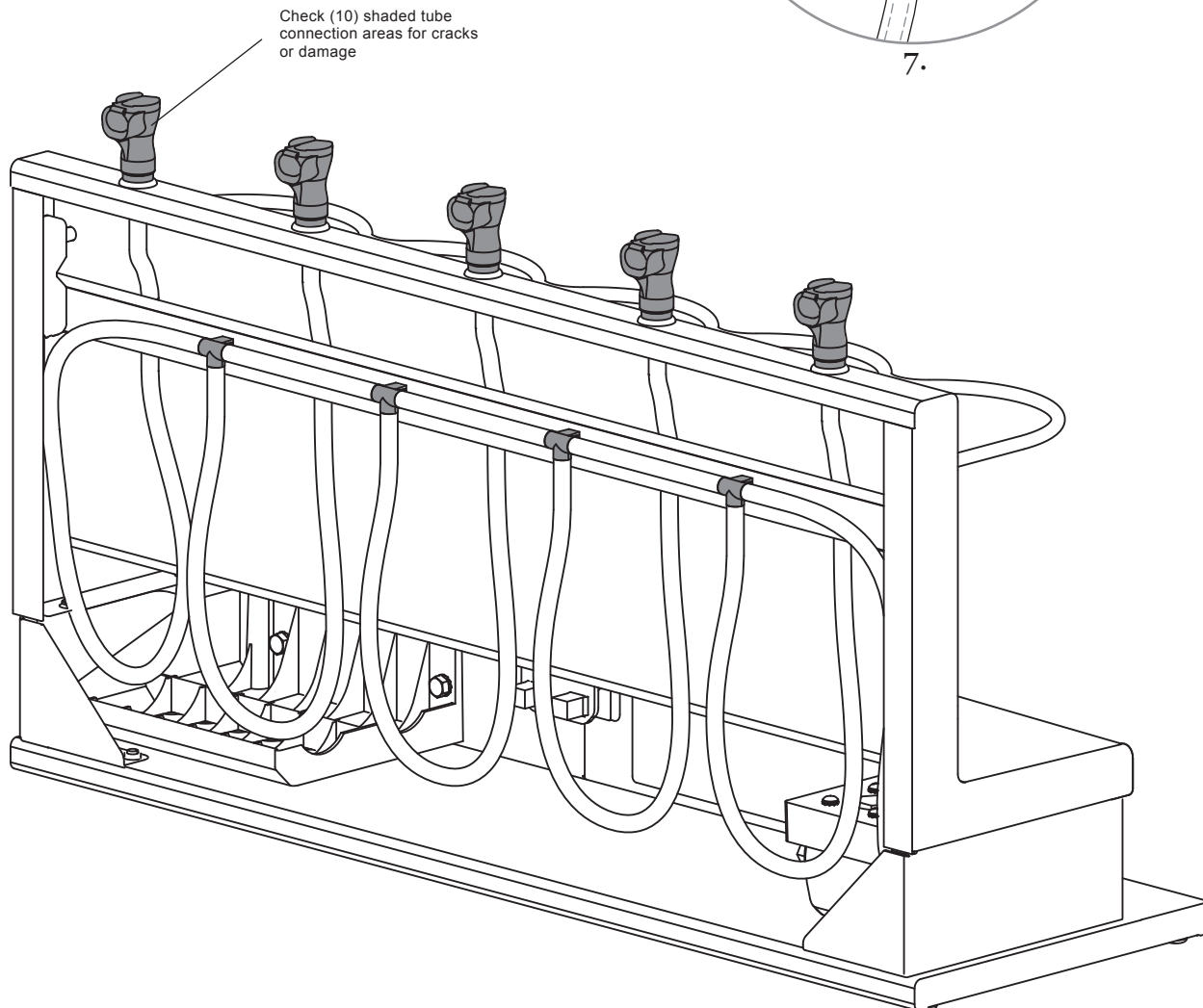
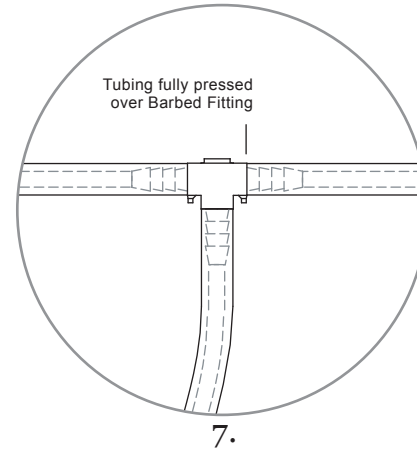
1. Ensure Tap Head assembly is fully seated in bottleneck and the rubber bottle seal fins are not scratched or damaged. In some small bottlenecks the systems pressure can push the Tap Head assembly up slightly.
2. Ensure Argon Gas Cylinder is screwed in tightly to the Regulator Unit. To fully tighten, after feeling the seal break continue to tighten 3 to 4 turns.
3. Ensure Quick Connect Coupler is fully seated on Tap Head assembly. When fully connected you will hear a click from the metal button engaging on the stem.
4. Ensure Quick Connect Coupler Stem and Stem O-ring on Tap Head assembly are clean and free of possible damaging debris.
5. Ensure O-ring on Tap Head assembly is lubricated. If dry, lubricate with a small amount of common vegetable oil.
6. Ensure Quick Connect Coupler Stem on Tap Head assembly is not cracked or damaged in any way.



# ISSUE

## My Wine Saver PRO is leaking argon. (continued)

7. Ensure all tubing and tubing connections are fitted correctly and have not been damaged or cracked. Tubing should be fully seated over all barbed fittings.



# ISSUE

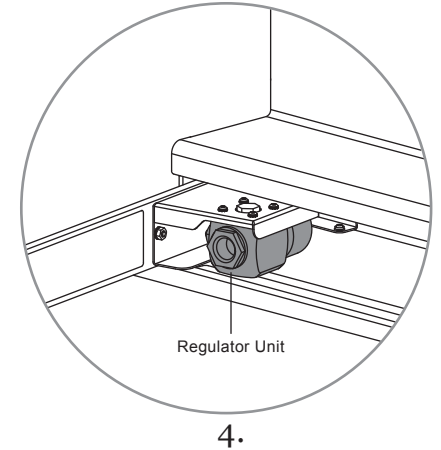
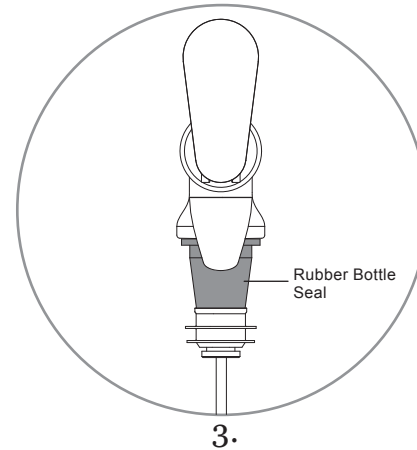
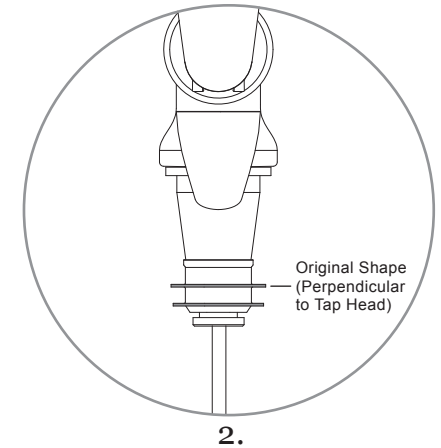
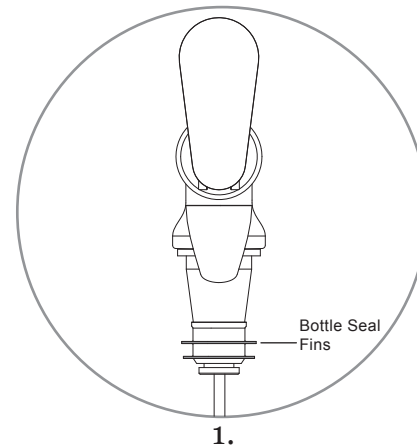
---

## My Tap Head continually pops off top of bottle.

Your Wine Saver PRO has been designed to seal properly on almost all standard wine bottles. Some custom made or unusually shaped bottles may not seal properly against the Tap Head causing it to pop off continually.

Also note that drastic drops or increases in atmospheric pressure could cause this issue. Because of this the Wine Saver PRO is not approved for use in an aircraft.

1. Ensure Bottle Seal Fins are not torn or damaged.
2. Return Bottle Seal Fins to original shape by running under hot water and re-insert Tap Head into bottle.
3. Ensure Rubber Bottle Seal is clean and has not been damaged.
4. Regulator Unit may be malfunctioning and requires replacement.  
(Call customer service for additional support.)

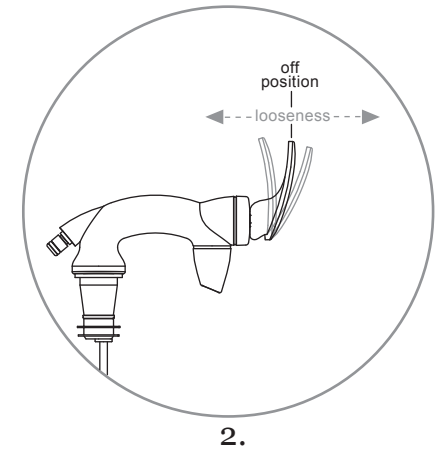
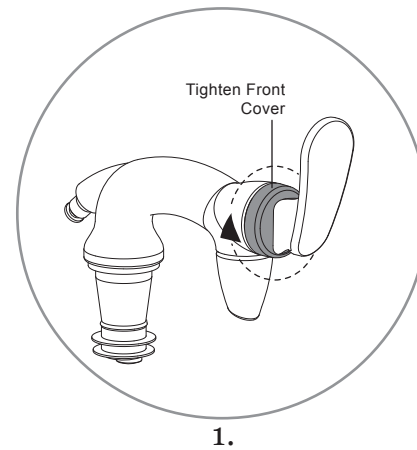
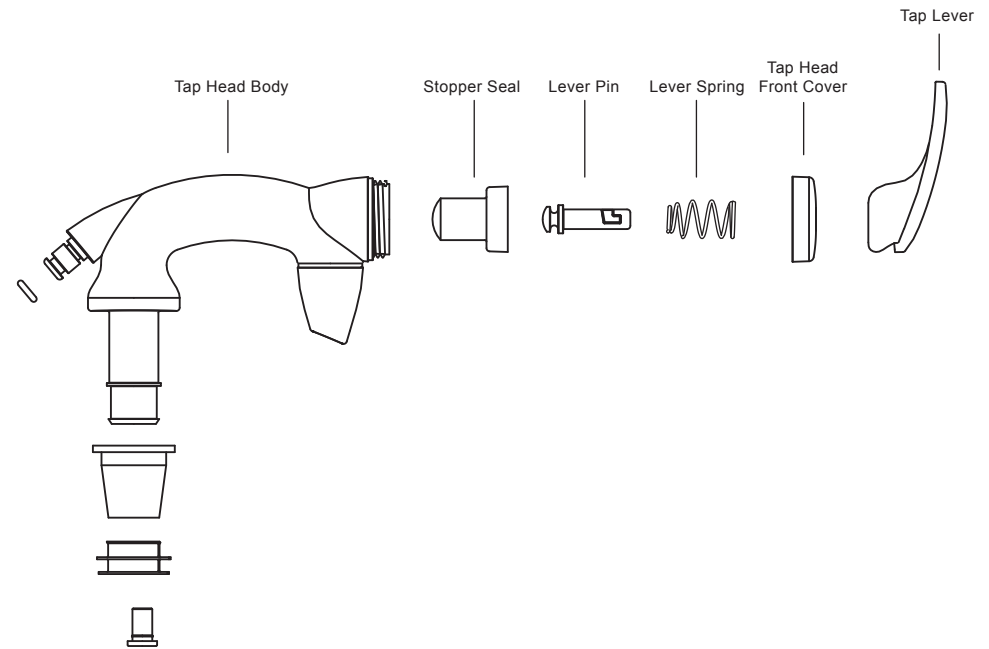


# ISSUE

## My Wine Saver PRO continuously drips wine.

If your Wine Saver PRO continues to drip wine when the lever is in the off position the issue is originating from the Tap Head. This issue will require disassembly of the Tap Head and inspection of the internal components. The following diagram will help get you acquainted with the internal components of your Tap Head. While disassembling the Tap Head take this opportunity to clean each component.

1. Ensure Tap Head Front Cover is fully threaded onto Tap Head Body.
2. Ensure when Tap Lever is in the off position the lever has some looseness.



# ISSUE

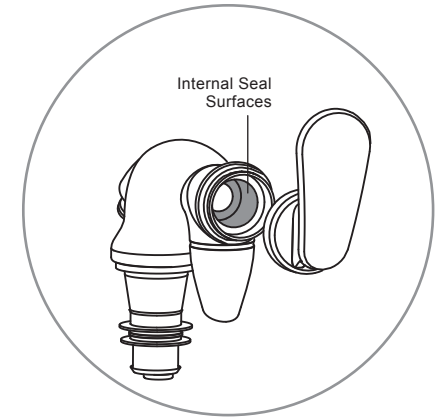
---

## My Wine Saver PRO continuously drips wine. (continued)

3. Ensure Stopper Seal is not damaged or obstructed from creating a tight seal inside the Tap Head.
4. Ensure Stopper seal surfaces inside Tap Head are not damaged or obstructed.



3.



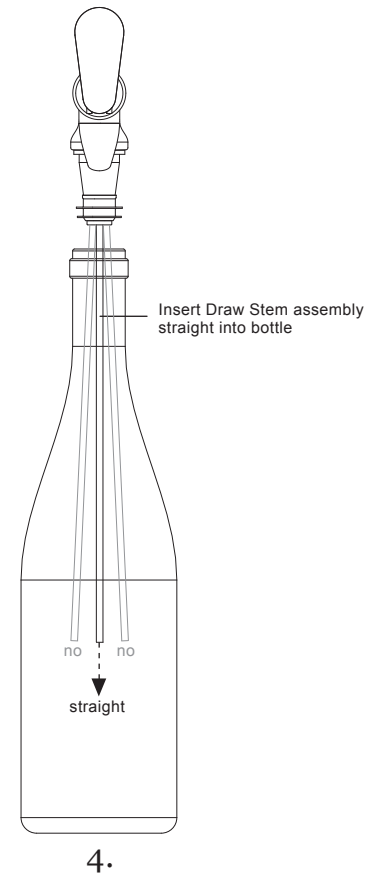
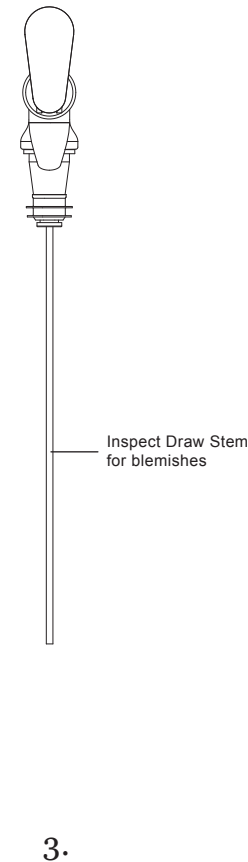
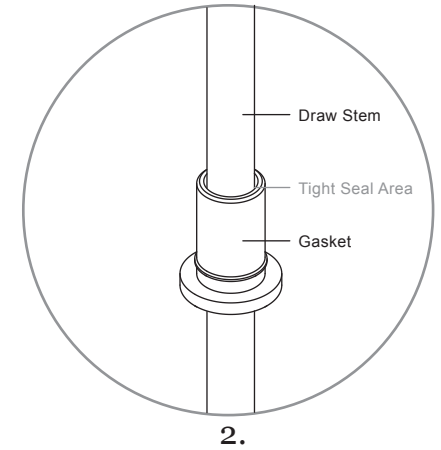
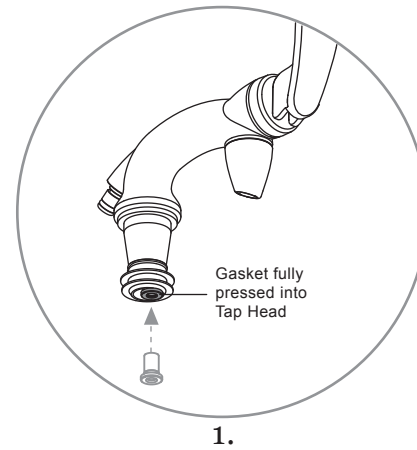
4.

# ISSUE

## My Wine Saver PRO is creating foam in my wine.

If your Wine Saver PRO is creating foam in your wine the issue is most likely originating from the Draw Stem. The following steps will guide you through correcting the issue. In the event the Draw Stem is not the issue it could be an internal Tap Head leak which would require replacement.

1. Ensure Draw Stem Gasket is properly seated in Tap Head.
2. Ensure Gasket is tightly seated around Draw Stem.
3. Ensure Draw Stem has no nicks, scratches, kinks, or any other blemishes.
4. Ensure Draw Stem is straight when inserted in bottle.



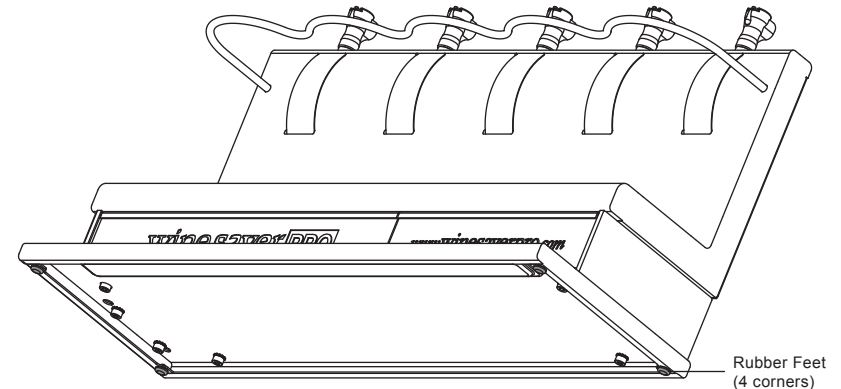
# ISSUE

My door is not swinging freely open or closed.

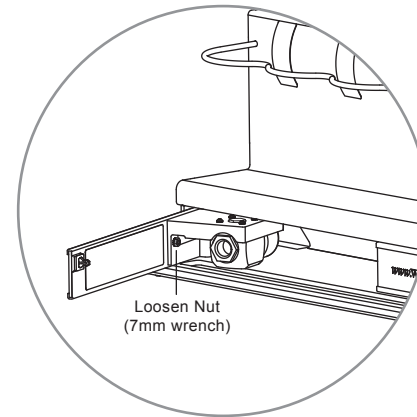
Your Wine Saver PRO has an adjustable door that should swing freely open and closed without hitting against the surrounding frame. Both the door angle and the hinge tension can be easily adjusted. The following instructions will help you properly adjust your door.

If the door was opened or closed when not adjusted properly there could be slight scuff marks from the metal to metal contact. A clean abrasive pad may remove this. Carefully brush with the grain of the metal and always use as light a pressure as possible.

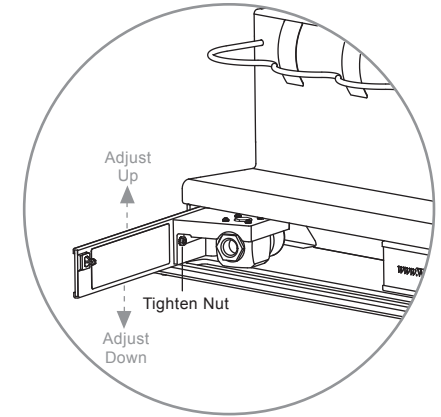
1. Ensure all four Rubber feet are in place and rack is sitting on a level surface.
2. If door is hitting surrounding frame or not closing properly loosen nut on backside of door, adjust door up or down to center door in frame, and re-tighten nut. (7mm wrench required)
3. If door swings too freely or is too tight the door pivot screw may need adjustment. Tighten or loosen the screw from the bottom side of the rack to get desired hinge tension. (4mm hex wrench required)



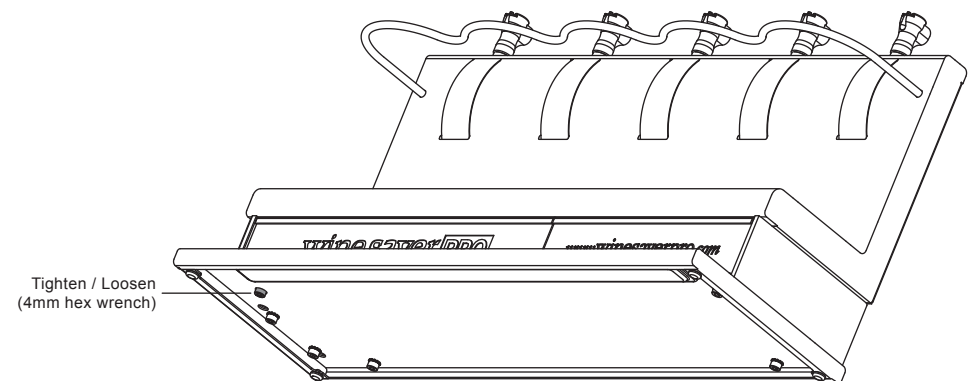
1.



2a.



2b.



3.

# ISSUE

---

My Quick Connect Coupler is damaged or defective.

If your Quick Connect Coupler has become damaged or is defective the following steps will guide you through replacing it. Always wait to replace a Quick Connect Coupler until your Argon Gas Cylinder is completely empty. The replacement process will allow all gas to escape. After replacement, please send Quick Connect Coupler back to Wine Saver PRO for evaluation.

1. Remove Quick Connect Coupler from Tap Head by pressing in the metal button and pulling away from Tap Head.
2. Using a pair of scissors cut the Quick Connect Coupler off the end of the tube. The cut should be approximately 3/4" from the end of the tube and should be clean and square.
3. Send damaged or defective Quick Connect Coupler back to Wine Saver PRO for evaluation.
4. Firmly press barbed fitting of new Quick Connect Coupler into cut tubing end. Be sure barbed fitting is fully inserted inside tube.

